

NOTE: THIS IS A GENERAL DEPICTION OF QUICKTREX ASSEMBLY BUILD SPECIFICATIONS. FOR FURTHER CUSTOMIZATION CONTACT LANSHACK.

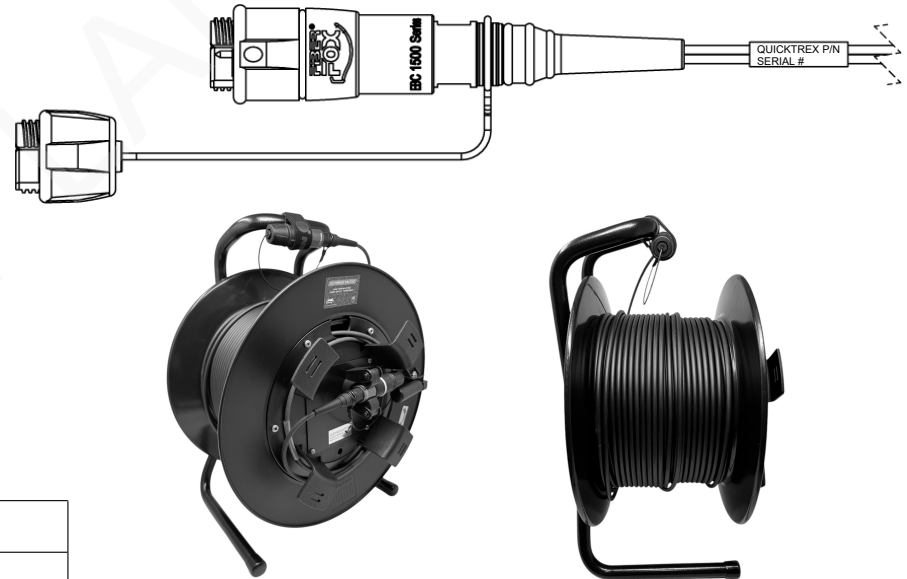
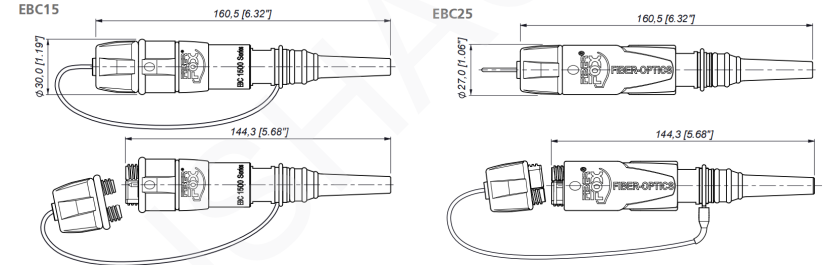


**PRE-TERMINATED TACTICAL DEPLOYABLE  
NEUTRIK® FIBERFOX® EXPANDED BEAM  
CUSTOM FIBER OPTIC CABLE ASSEMBLY  
BUILD SPECIFICATIONS**

REV	ECR	DESCRIPTION	BY	DATE	CHECKED
C	-	QUICKTREX FIBERFOX TACTICAL ASSEMBLY BUILD SPECIFICATIONS	T.D.	03/08/2023	A.D.

**MANUFACTURED IN THE USA | TAA COMPLIANT**

1. MATERIALS AND COMPONENTS ARE RoHS/REACH COMPLIANT.
2. CONNECTORS MEET THE REQUIREMENTS OF ANSI/TIA 568-C.3 AND IS DESIGNED ACCORDING TO MIL-DTL-83526. IP68 RATED IN MATED CONDITION OR UNMATED CONDITION
3. ALL CABLE WILL INCLUDE PREMIUM TACTICAL GRADE GLASS AND CABLE JACKET.
4. ALL NEUTRIK® FIBERFOX® FIBER ASSEMBLIES WILL INCLUDE A CONNECTOR TO JACKET TERMINATION (NO BREAKOUT).
5. ONE WRAP AROUND LABEL IS ATTACHED TO EACH END FOR IDENTIFICATION. THE LABEL WILL INCLUDE THE PART # AND AN INDIVIDUAL SERIAL NUMBER.
6. ALL FIBER ENDS ARE 100% TESTED FOR OPTICAL PERFORMANCE AND INSPECTED WITH A FIBERSCOPE OF 400 POWER OR MORE FOR SURFACE DEFECTS INCLUDING CRACKING, PITTING, AND SCRATCHES ON THE GLASS SURFACE. ALL ENDS ARE TESTED UTILIZING A PROFESSIONAL GRADE LOSS TEST SET TO THE FOLLOWING STANDARDS:  
MULTIMODE: TYPICAL IL 1.5dB PER CONNECTION / MAX 2.5dB PER CONNECTION, RL :N/A  
SINGLEMODE: TYPICAL IL 1.0 dB MAX 2.0 dB PER CONNECTION (ACCORD. W/ IEC 61300-3-4)  
MAX 2.5dB PER CONNECTION ACCORD. W/ IEC 61300-3-34)  
TYPICAL RL >32 dB ACCORD. W/ IEC 61300-3-6
7. FULL TEST REPORT INCLUDED WITH EACH ASSEMBLY.
8. IF CHOSEN THE ASSEMBLY WILL BE PRE-INSTALLED ON DEPLOYABLE CABLE REEL.



ABOVE IS EXAMPLE OF AN ASSEMBLY ON SCHILL DEPLOYMENT REEL. FOR REEL OPTIONS SEE PRODUCT PAGE

QUICKTREX BUILD MATERIAL LIST		CONNECTOR OPTIONS
ITEM	QTY	COMPONENT
1	VARIES	TACTICAL DISTRIBUTION FIBER
2	VARIES	NEUTRIK FIBERFOX CONNECTORS
3	VARIES	VELCRO TIES
4	1	REEL LABEL
5	2	CABLE LABEL
6	1	TEST REPORT
7	1	PACKAGING
8	1	OPTIONAL DEPLOYABLE CABLE REEL
		<b>FIBER TYPE OPTIONS:</b> MULTIMODE OM3 50/125 SINGLEMODE 9/125
		<b>STRAND COUNT OPTIONS:</b> 2 & 4
		<b>JACKET TYPE OPTIONS:</b> BROADCAST TACTICAL & RUGGED EXTREMEMIL-TAC (DOUBLE JACKETED)
		<b>ISO 9001 CERTIFIED MANUFACTURING</b>

**DESCRIPTION:** THIS IS A SAMPLE REPRESENTATION OF QUICKTREX TACTICAL ASSEMBLY BUILD SPECIFICATIONS

DRAWN BY:	T. D.	03/05/2023
APVD BY:	A. D.	03/08/2023



1-888-568-1230 or Sales@LANshack.com

**DIMENSIONS:** METRIC [IMPERIAL] TITLE: QUICKTREX® PRE-TERMINATED TACTICAL DEPLOYABLE NEUTRIK® FIBERFOX® CUSTOM FIBER OPTIC CABLE ASSEMBLY

**PROPRIETARY AND CONFIDENTIAL**  
THIS DOCUMENT CONTAINS PROPRIETARY INFORMATION OF LANSHACK. NOT TO BE USED, COPIED, OR DISCLOSED WITHOUT WRITTEN PERMISSION. ALL RIGHTS RESERVED.

P/N NO. QT-HMA-EB-TAC-XX-XXX

SCALE: NOT TO SCALE

SHEET 1 OF 1

REV  
B